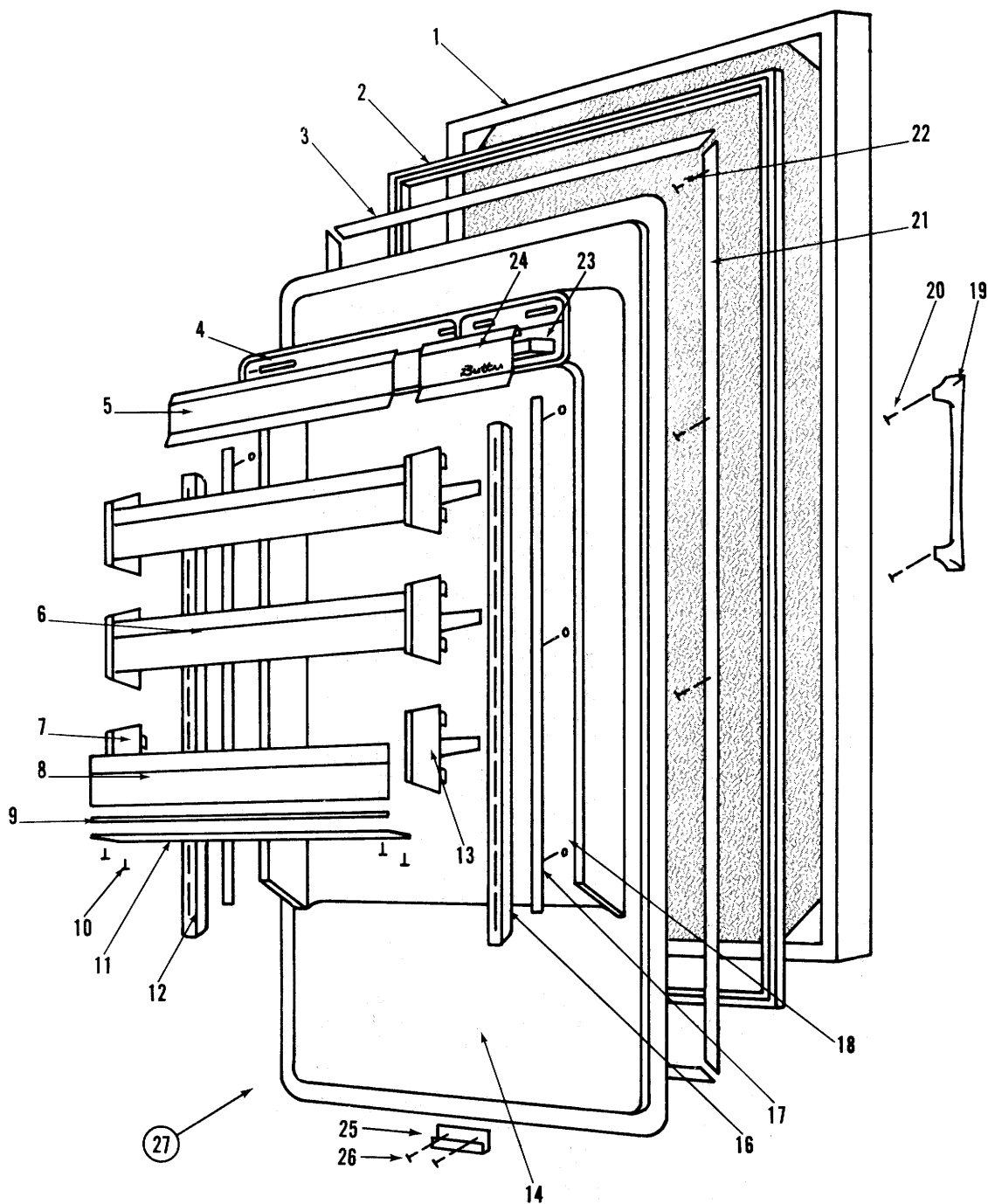


215 R DOORS

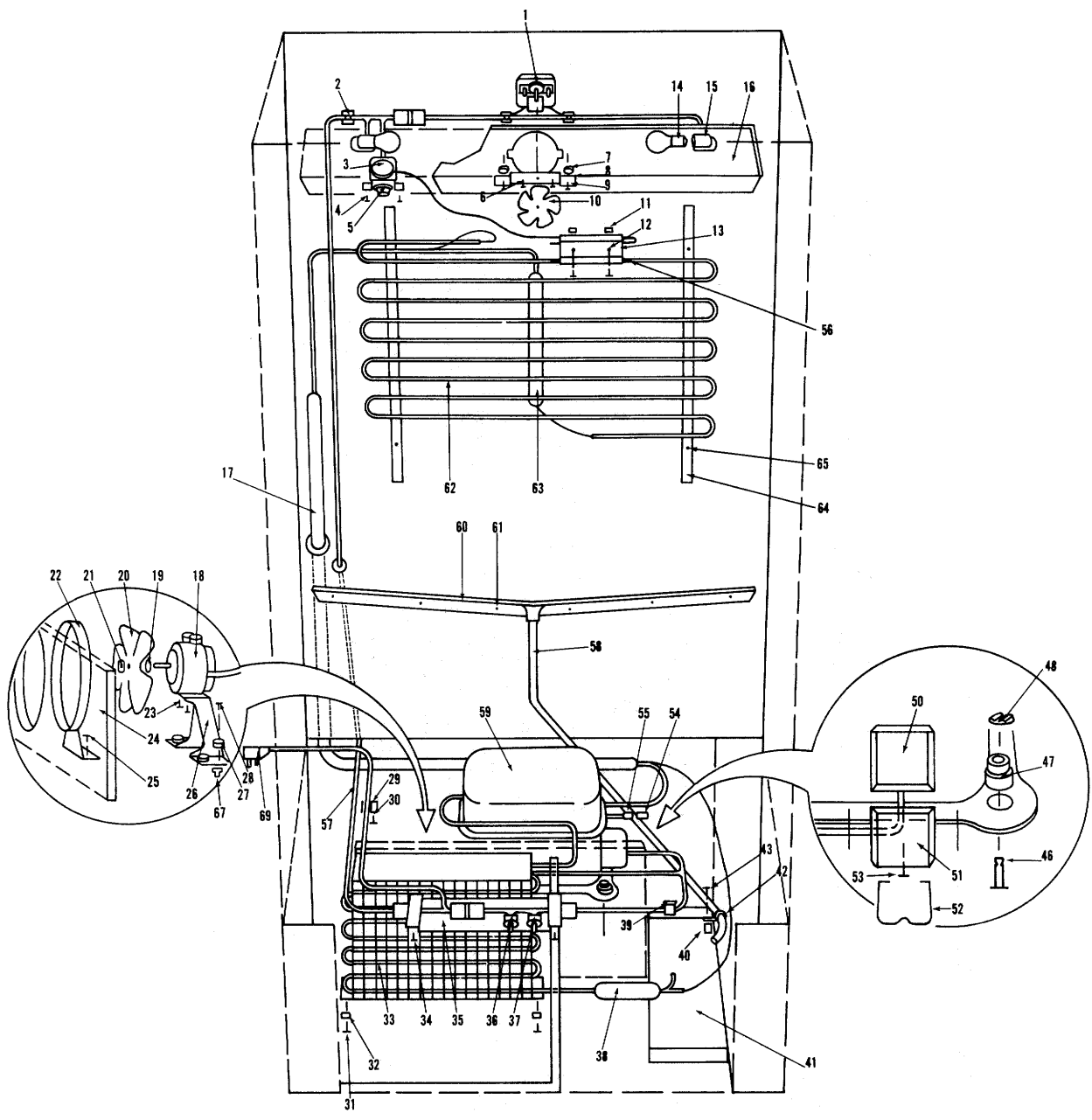


Item #	Part #	Description	Item #	Part #	Description
1	0-47037-0	Door Shell	16	2-2145-08	Door Shelf Ladder, 33-1/8
2	3-21-005-0	Door Gasket, 33.813 x 58.375	17	4-15-019-0	Door Shelf Ladder Holder Assembly, 29.5
3	3-42-022-0	Top & Bottom Gasket Retainer, 33.312	18	6-15-032-0	Nut, #8-32 Pa1 (D0832075)
4	3-42-005-0	Butter Door Rod	19	3-51-008-0	Door Handle, 1-1/2 x 14
5	3-48-035-0	Dairy Door, 4.875 x 20.25	20	6-11-009-0	Bolt, #10-24 x 1/2 Truss Head
6	4-33-011-0	Door Shelf Assembly, 29-1/8	21	3-42-025-0	Side Gasket Retainer, 57.875
7	3-60-022-2	Left Side Door Shelf End Cap	22	6-20-041-0	Screw, #9 x 1/2 Slot Head Hex
8	3-51-011-0	Door Shelf Guard, 28.375	23	3-44-001-0	Butter Dish, 3-1/8 x 6-1/8
9	1-2163-00	Door Shelf Tray Support, 25-7/8	24	3-48-036-0	Butter Door, 4.875 x 7.688
10	6-20-039-0	Screw, #6 x 3/8 PH Type 25 Flat Head	25	0-48079-1	Switch Depressor (White)
11	2-8061-01	Door Shelf Tray, 26.81	26	6-11-009-0	Bolt, #10-24 x 1/2 Truss Head
12	2-2145-08	Door Shelf Ladder, 33-1/8	27	4-13-063-1	Complete Door Assembly, Right Hand
13	3-60-022-1	Right Side Door Shelf End Cap		4-13-063-2	Complete Door Assembly, Left Hand
14	0-18211-0	Door Liner			

215 R SYSTEM VIEW

<u>Item #</u>	<u>Part #</u>	<u>Description</u>
1	4-20-017-0	Refrigerator Fan Motor, 23 Watt
2	6-12-016-0	Cord Clip; Plastic, 5/16 x 1/2
3	3-01-234-1	Control (Also See 3-01-230-0)
4	6-11-005-0	Bolt, #8-32 x 3/8 Truss Head
5	3-01-232-0	Control Knob
6	6-11-027-0	Bolt, #10-32 x 1/4 Round Head
7	6-15-033-0	Wellnut, #10-32
8	0-21129-0	Refrigerator Fan Bracket
9	6-11-032-0	Bolt, #10-32 x 3/4 Truss Head
10	3-15-021-0	Fan Blade, 4"
11	6-15-013-0	Nut, #10-24 Hex S/S
12	6-11-003-0	Bolt, #10-24 x 1/2 Round Head
13	4-16-012-0	Control Clamp
14	3-03-003-0	Light Bulb, 40 Watt
15	3-05-003-0	Light Socket
16	0-21099-0	Refrigerator Fan Shroud
17	4-25-049-0	Refrigerator Heat Exchanger
18	3-15-028-0	Condenser Fan Motor; 1.5 Watt, 4 Pole
19	3-21-034-0	Neoprene Silencer, 7/8"
20	3-15-027-0	Fan Blade; 5 Prop, 7"
21	6-15-041-0	Nut, 1/4-20
22	4-15-057-0	Fan Guard Assembly
23	6-20-049-0	Screw, #8-32 x 3/8 Type 25 Slotted Hex
24	2-4013-05	Condenser Fan Shroud
25	6-20-002-0	Screw, #7-16 x 1/2 Pan Head
26	2-8016-03	Fan Bracket, 2-1/4"
27	3-22-016-0	Grommet, 3/16 x 7/16 x 9/32
28	6-20-043-0	Screw, #8-18 x 1/2
29	6-12-015-0	Wire Clamp; Stl w/Rub, 7/16
30	6-20-002-0	Screw, #7-16 x 1/2 Pan Head
31	6-11-002-0	Bolt, #10-24 x 3/8 Truss Head
32	6-15-007-0	Nut, #10A Self Retaining U-Type
33	3-12-003-0	Condenser, 2-1/2 x 8 x 11-5/16
34	6-20-002-0	Screw, #7-16 x 1/2 Pan Head
35	0-16360-0	Switch Housing
36	3-06-002-0	Door Switch, Normally Open (Fan)
37	3-06-003-0	Door Switch, Normally Closed (Light)
38	3-01-405-0	Drier, 1/4 x .095
39	6-12-016-0	Plastic Cord Clip, 5/16
40	6-16-005-0	Spacer, 7/32 x 3/8 x 1-1/8
41	3-49-005-0	Drain Pan, 1 x 6 x 19
42	6-12-005-0	Plastic Tube Clamp, 5/8
43	6-20-019-0	Screw, #10-12 x 1-1/2 Pan Head
46	6-22-010-0	Compressor Stud, 13/16 x 1-1/4
47	3-15-017-0	Rubber Grommet, 15/16 x 1.25
48	3-45-004-0	Compressor Clip, 7/8 x 3/16
50	3-11-067-0	Overload Relay Assembly (S125-1156DT)
51	3-11-064-0	Relay Cover
52	3-11-065-0	Relay Clamp
53	6-11-035-0	Screw
54	3-09-008-0	Valve Cap
55	3-09-001-0	Base Valve, 1/2 x 1-3/8
56	3-04-003-0	Control Plastic Sleeve
57	4-32-122-0	Cabinet Wiring Harness
58	1-6014-00	Drain Tube, 5/8" x 6'
59	3-11-059-0	Compressor (125WSIKVR)
60	4-19-005-0	Drain Trough Assembly, 1.75 x 30.00
61	6-20-012-0	Screw, #10-12 x 1/2 Truss Head
62	4-21-036-0	Refrigerator Evaporator Assembly
63	3-01-103-0	Accumulator, 7/8 x 15-5/8
64	2-8040-01	Evaporator Holder, 30"
65	6-20-009-0	Screw, #8-15 x 1-3/4 Truss Head
67	3-52-012-0	Brass Insert, 3/16 x 9/32
69	3-02-229-0	Power Cord, Gray

215 R SYSTEM VIEW



215 R COSMETIC VIEW

<u>Item #</u>	<u>Part #</u>	<u>Description</u>
2	0-16371-1	Back Cover (White)
3	6-20-023-0	Screw, #8-18 x 1/2 Hex Head
4	3-57-004-0	Leveling Leg, 3/8-18 x 1-1/2
5	6-22-013-0	Ball Stud
6	4-11-017-0	Unit Base Assembly
7	3-54-029-0	Lower Hinge, Right Hand
	3-54-030-0	Lower Hinge, Left Hand
8	6-11-007-0	Bolt, 1/4-20 x 5/8 Hex Head
9	3-42-007-0	Hinge Bearing
10	6-18-001-0	Pop Rivet, 1/8 Aluminum
11	0-46121-0	Grille Shroud
12	6-15-014-0	Spring Grip Nut, 1/8
13	3-58-010-0	Name Plate, 13/16 x 4-9/16
14	4-24-026-1	Grille Assembly, Right Hand
	4-24-026-2	Grille Assembly, Left Hand
15	3-48-068-0	Crisper Front (Vegetable), 14.647
16	3-48-073-0	Crisper Handle, .44 x 1.53 x 14.491
17	3-41-028-0	Crisper Basket Only, 15.00 x 15.96 x 15.68
	4-18-050-0	Crisper Basket Assembly (Vegetable), 15.00 x 15.95
18	3-21-022-0	Front Crisper Seal, 30.44
19	4-15-049-0	Crisper Glass Assembly, 31.44 x 15.50
20	4-15-037-0	Crisper Trim Assembly, 31.625
21	3-42-030-0	Center Crisper Support, .29 x .31 x 6.25
22	6-22-020-0	Support; Barrel Type, .225 x .406
24	6-20-032-0	Screw, #8-32 x 1/2 Truss Head
25	2-8058-01	Door Closer
26	3-48-067-0	Crisper Front Only (Meat), 14.647
	4-18-049-0	Crisper Basket Assembly (Meat), 15.00 x 15.95
27	3-42-032-0	Roller, .250 x .75D
28	6-20-044-0	Screw, #10 x 11/16 Type B Flat Head
29	2-8073-13	Side Breaker Strip, 57-1/8
30	4-18-062-3	Right Side Crisper Slide Assembly
	4-18-062-4	Left Side Crisper Slide Assembly
31	6-20-045-0	Screw, #8 x 1 Type AB Flat Head
32	3-42-032-0	Roller, .250 x .75D
33	6-11-033-0	Screw, #10-32 x 1/2 Chrome Plated
34	4-18-063-0	Center Crisper Slide Assembly
35	6-20-008-0	Screw, #8-15 x 1/2 Truss Head
36	6-20-037-0	Screw, #8-18 x 2 Truss Head
37	6-16-009-0	Spacer, .20 x .38 x 1.44
38	3-55-016-0	Hex Insert, #10-32 x 3/8
39	0-50012-0	Cold Plate Cover
40	6-12-020-0	Cable Clip, .22 x .79 x .50
41	6-20-014-0	Screw, #8-15 x 3/8 Truss Head
42	2-2119-06	Left Side Refrigerator Cantilever Shelf Ladder
43	2-2119-05	Right Side Refrigerator Cantilever Shelf Ladder
44	6-20-014-0	Screw, #8-15 x 3/8 Truss Head
45	6-22-007-0	Support, .44 x .63 x 1.53
46	6-22-019-0	Support, .275 x .750
47	2-8073-15	Top & Bottom Breaker Strip, 32-7/8
48	6-11-026-0	Bolt, 1/4-20 x 1/2 Flat Head
49	3-54-031-0	Top Hinge, Right Hand
	3-54-032-0	Top Hinge, Left Hand
50	3-42-007-0	Hinge Bearing
51	4-15-031-0	Diffuser Glass Assembly, 5.25 x 31.563
52	3-45-016-0	U-Clip
53	3-42-015-0	Plastic Egg Tray
54	3-60-030-0	Cantilever Shelf, 30"
55	3-21-025-0	Rear Crisper Seal
56	2-2203-01	Crisper Glass Front

215 R COSMETIC VIEW

